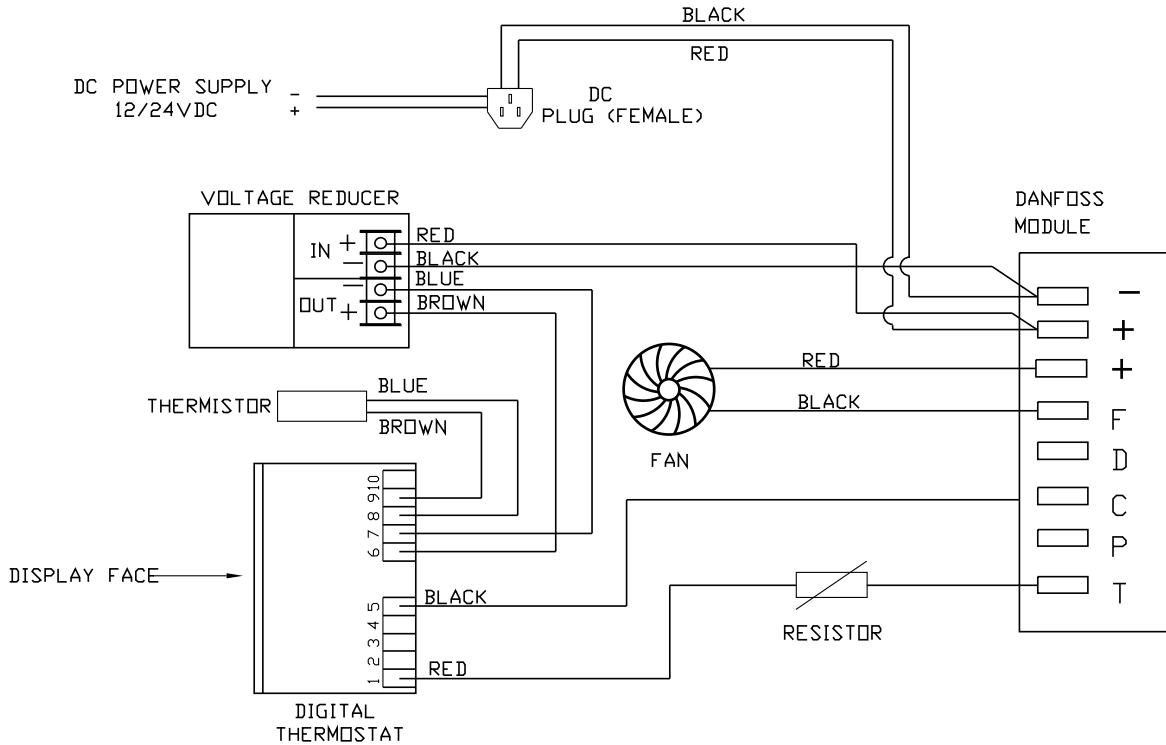


PROPRIETARY NOTE: THE INFORMATION CONTAINED WITHIN THIS DOCUMENT IS THE PROPERTY OF TAYLOR MADE ENVIRONMENTAL, INC. ANY ATTEMPT TO COPY OR DISTRIBUTE WITHOUT WRITTEN CONSENT FROM TAYLOR MADE ENVIRONMENTAL, INC. SHALL BE CONSIDERED UNLAWFUL AND CAN BE CONTESTED IN A COURT OF LAW.



DRAWING NO  
G1010058

DATE: 8/1/01

SCALE: 1:1.5

PART NUMBER: T.B.D.

DRAWN BY: DRR

APPROVED BY: DTS

DRAWING NO:

WIRING DIAGRAM  
TUNDRA  
DIGITAL THERMOSTAT-TPD23  
DC ONLY

G1010058



Taylor Made  
ENVIRONMENTAL™



Plotted:  
02 Aug 01 - 08:22 am